



PROTECT

combined with active carbon



715544

FH331



CA

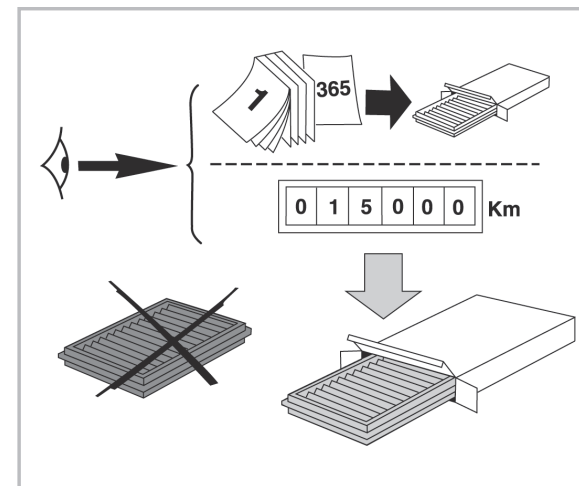
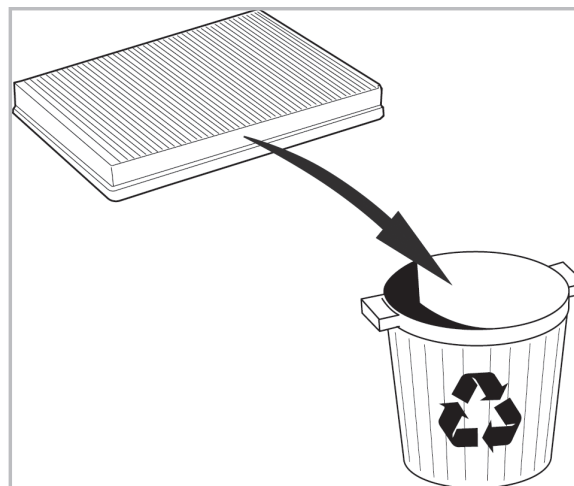
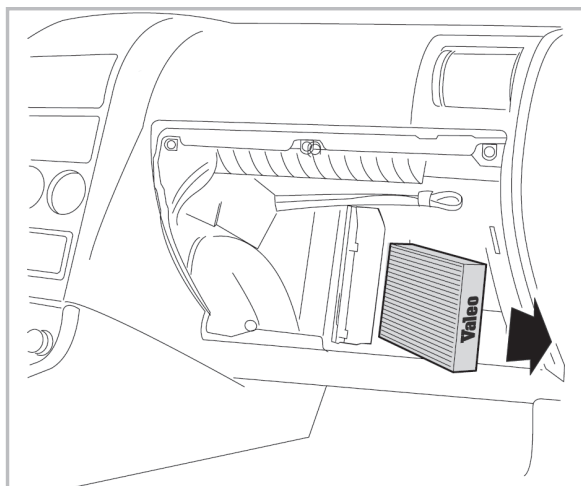
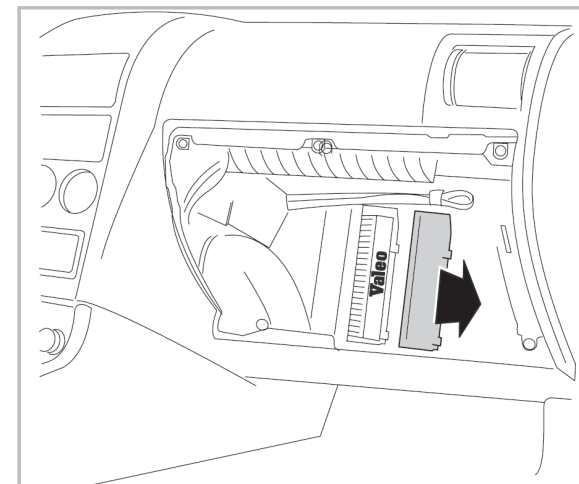
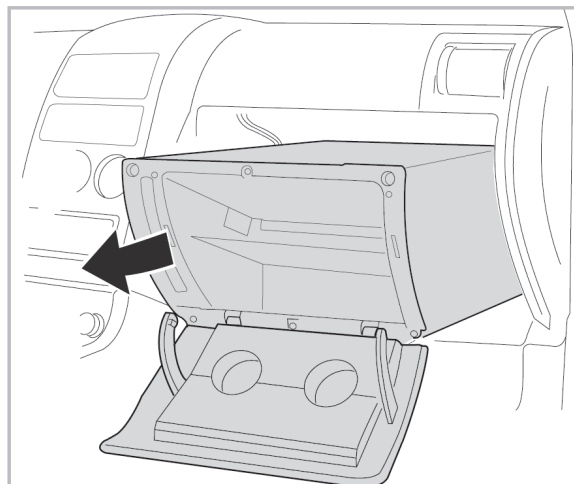
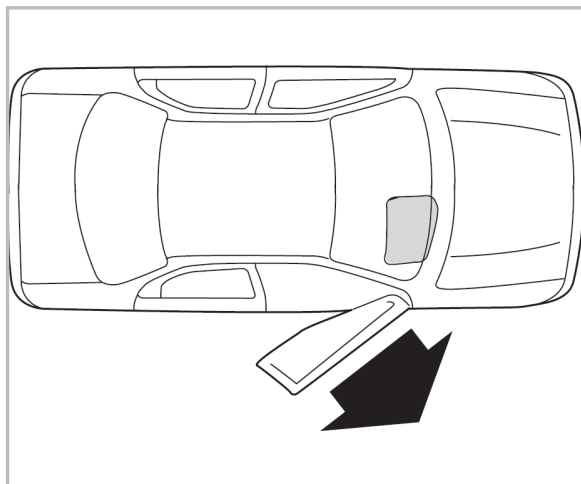
WANT TO KNOW MORE?



www.valeo-techassist.com

FOR  
MERCEDES

GL CLASS (164) A/C+ (01/06 >) / M CLASS (164) A+ (07/05 >) / R CLASS (251) A/C+ (10/05 >)



Valeo Service - Société par Actions simplifiée - Capital de 12 900 000€ - 70, rue Playel, 93285 Saint-Denis Cedex - France - B 306 486 408 RCS Bobigny